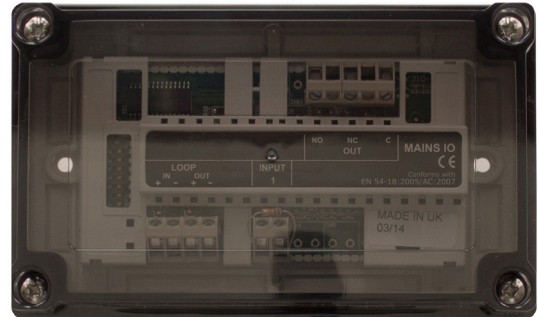


## Features

Loop powered	✓
Single mains rated relay contact	✓
Addressed with dip switches	✓
Integral bi-directional short circuit isolator	✓
Visible status, fault and alarm LED indication	✓
Surface or Semi-flush mounting	✓

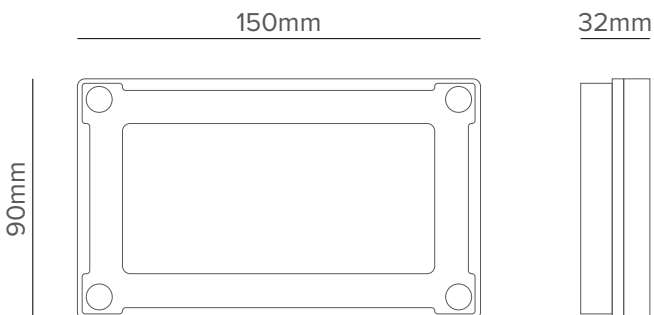


The Addressable Mains Switching Input/Output Module is loop powered and is designed for both monitoring a low voltage input and at the same time, switching a local mains rated output (230V max.) which needs to be triggered to switch ancillary equipment on or off during an alarm. Typical output triggering includes, controlling lift operation during an alarm, starting a fire pump, or stopping ventilation fans etc.

A bi-directional short-circuit isolator has been fitted to the interface module to ensure continued functionality in the event of a short-circuit on either the loop in or out terminals.

Each module is supplied with a low profile back box incorporating cut-outs for cable entries. The unit requires a standard European double back box for surface or semi-flush mounting. To minimise any damage during installation, the electronics are protected by a cover. The ProFyre Addressable Mains Switching Input/Output Module has an ingress protection rating of IP21 (with back box) for internal use only.

The ProFyre Addressable Mains Switching Input/Output Module is compatible with the analogue addressable ProFyre A4, A2 and T8 2-wire fire alarm systems.





## Technical Specification

Type	Addressable Mains Switching Input/Output Interface
Operating Voltage (Loop)	17 to 30Vdc
Quiescent Current (Loop)	1.3mA
Alarm Current (Loop)	2.9mA
Fault Current (Loop)	2.9mA (Short Circuit) – 2.6mA (Open Circuit)
Output Active Current (Loop)	2.8mA
Output Relay Contact Rating	8A @ 250Vac / 30Vdc
Input End Of Line	22k
Alarm Triggering Resistor	4k7
Operating Conditions	Tested to: -10°C to +50°C (14°F to 122°F) Humidity: 0% to 95% RH, non-condensing
IP Rating	IP21
Design Environment	Indoor Us Only
Weight	0.21kg



## Ordering Information

**16-114**

ProFyre Addressable Mains switching I/O unit, 8A @ 230V AC (2 Gang Backbox Required)

